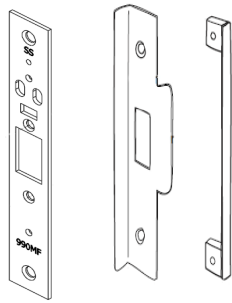


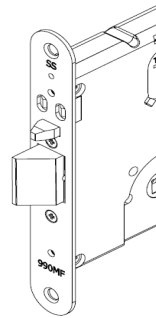


990MF, 990MFE Rebate Kit Lock Conversion Instructions

Before conversion:

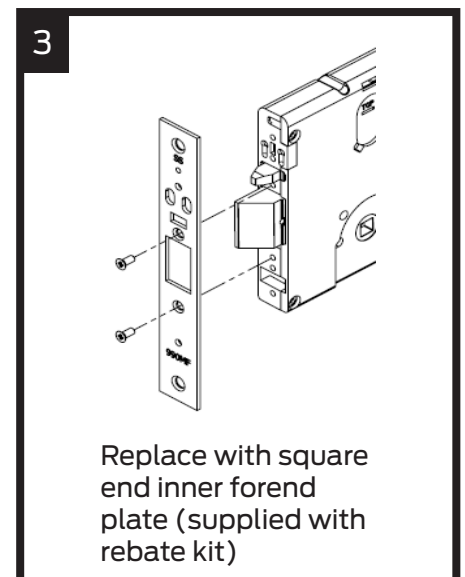
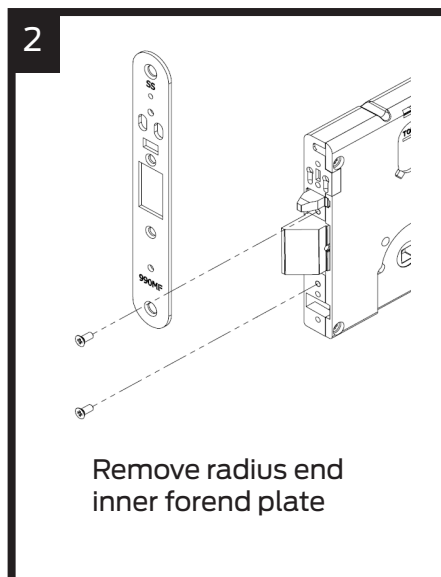
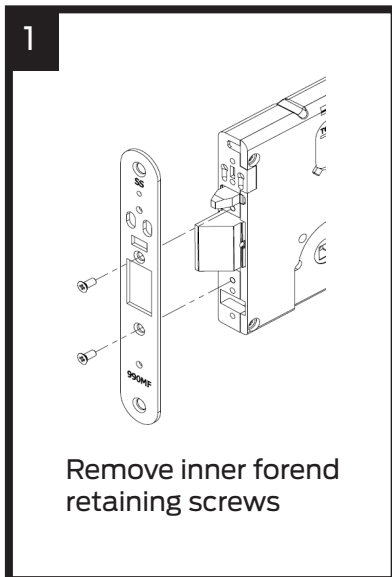


Legge 990 MF/990MFE
Rebate kit

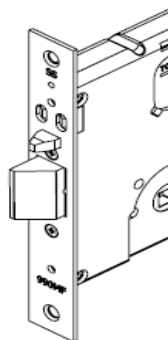


Legge 990MF/990MFE
lock status before
conversion

Steps for conversion:



After conversion:



Legge 990MF/990MFE lock status after conversion of inner forend. Now it is ready for use with Legge Rebate kit.

Please note: This instruction chart is to be used to convert the standard Legge 990,990MFE Mortice lock to be compatible for use with the optional Legge Rebate kit. The Legge Rebate kit is supplied with the square end inner forend. Inner forend retaining screws must be reused.

